



i9 Series

Continuous Inkjet Printer



Coding for Industry 4.0

[Efficient]

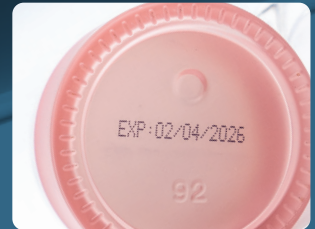
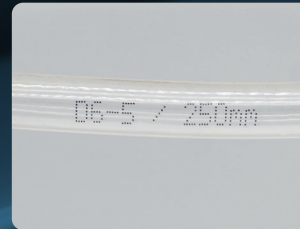
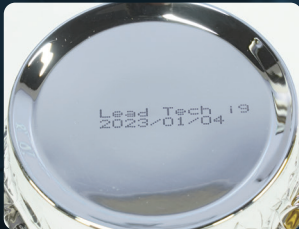
Revolutionary printhead, consistent print quality

[Reliable]

Stable performance, less maintenance

[Friendly]

Self-management system, lower makeup consumption



Coding Tomorrow

www.leadtech.ltd
LEAD TECH (ZHUHAI) ELECTRONIC CO., LTD.

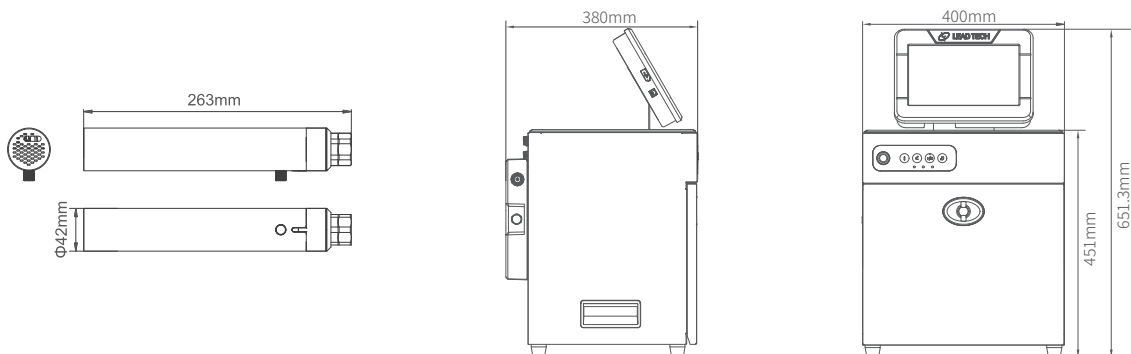


Specifications

Model	<i>i9</i> STD	<i>i9</i> HRS
Material	Precision coating	
Printing Performance	1-4 Lines(7X5matrix) 1-5 Lines(5X5 matrix) Max.speed=344m/min@5X5	1-4 Lines(7X5matrix) 1-5 Lines(5X5 matrix) Max.speed=430m/min@5X5
Font Matrix	Single-Line: 5X5, 7X5, 9x6, 12X8, 16X11, 19X14, 24X17, 32X22 Twin-Line: 5X5, 7X5, 9x6, 12X8, 16X11	3 Lines: 5x5, 7x5, 9x6 4 Lines: 5x5, 7x5 5 Lines: 5x5
Printing Distance	Character height: 1-15mm Printing distance: 2mm to 30mm Best: 10mm	
Operating System	LT-Touch unique System, Multiple Languages	
Print Content	English, Chinese, Arabic Numbers, serial number, Barcode, Shift, DM/QR Code, UPC A&E, EAN 8 &13, Code 128 A, B & C, Code 125, GS1, UCC/EAN 128, Code 39, logo, automatic date/time/expiry date, special characters, etc.	
Extra Memory	USB, RS485, RS232, BCD, Ethernet	
System Language	Chinese, English, Korean, Russian, Polish, Persian, Arabic, Spanish, German, Indonesian, Vietnamese, Croatian, Thai, Slovenian, Slovak, Bosnian, Portuguese, Italian, etc. customizable language	
Memory Storage	1000+Messages	
Industrial Protection	IP65	
Printhead	Super soft, length 3m Constant temperature, 60μm	Super soft, length 3m Constant temperature, 50μm
Printing Direction	360°All-round printing	
Cartridge Volume	Ink (750ml) Make-up (750ml)	
Temperature/ Humidity range	0-50°C 0-95% Relative Humidity, Non-condensing	
Power	AC100-240V, 50/60Hz, 120VA	

* *i9* STD is standard model, *i9* HRS is a high-speed, high-resolution, small font model (suitable for applications with high-precision fonts)

Dimensions



LEAD TECH (ZHUHAI) ELECTRONIC CO., LTD.

Tel: +86 756-7255629

Fax: +86 756-7255638

Web: www.leadtech.ltd

Add: Floor 3/4 , Building 1, No. 728, Jinhu Road, Sanzao Town, Jinwan District, Zhuhai City