



**i9 Micro**  
Continuous Inkjet Printer



## High-Resolution Micro Coding

**[High-Resolution]**

Resolution up to Max.149 DPI, character height Min. 0.8mm

**[Reliable]**

Stable performance, less maintenance

**[Intelligent]**

Self-management system, lower makeup consumption

Coding Tomorrow

www.leadtech.ltd  
LEAD TECH (ZHUHAI) ELECTRONIC CO., LTD.



## Your Ideal Coding Solution

5X5 PRINTING SAMPLE

7X5 PRINTING SAMPLE

9X6 PRINTING SAMPLE

12X8 PRINTING SAMPLE

16X11 PRINTING SAMPLE

19X14 PRINTING SAMPLE

PRINTING SAMPLE  
40 MICRON NOZZLE

PRINTING SAMPLE  
40 MICRON NOZZLE  
7X5-3LINES

PRINTING SAMPLE  
40 MICRON NOZZLE  
5X5-4LINES  
10mm DISTANCE PRINTING



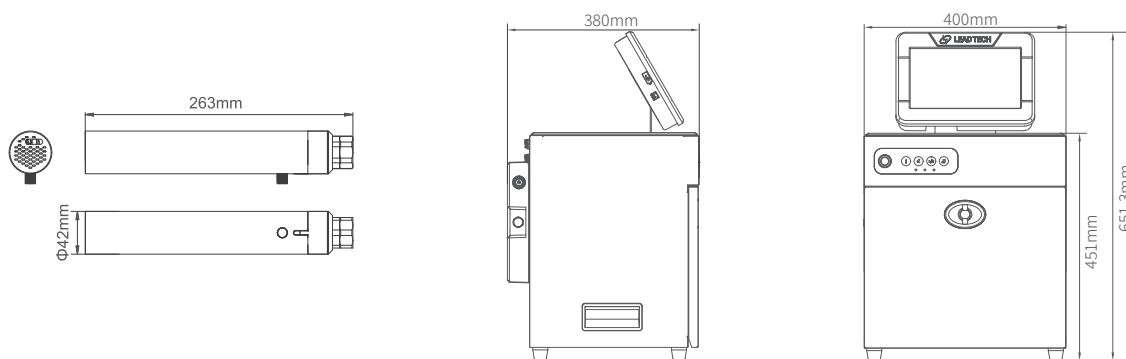
DM Min 4x4mm Grade B  
QR Min 6x6mm Grade B



## Specifications

Model	<i>i9</i> Micro	
Material	Precision coating	
Printing Performance	1-3 Lines (7X5 matrix) 1-4Lines (5X5 matrix) Max. speed=267m/min@5x5	
Font Matrix	Single-Line: 5X5, 7X5, 9x6, 12X8, 16X11, 19X14, 24X17 Twin-Line:5X5, 7X5, 9x6, 12X8	3 Lines: 5x5, 7x5 4 Lines: 5x5
Printing Resolution	Max. 149 dpi	
Printing Distance	Character height: 0.8mm -12mm Printing distance: 2mm to 30 mm Best:10mm	
Operating System	LT-Touch unique System, Multiple Languages	
Print Content	English, Chinese, Arabic Numbers, serial number, Bar code, Shift, DM/QR Code, UPC A&E, EAN 8&13, Code 128 A, B & C, Code 125, GS1, UCC/EAN 128, Code 39, logo, automatic date/time/expiry date, special characters, etc.	
Extra Memory	USB, RS485, RS232, BCD, Ethernet	
System Language	Chinese, English, Korean, Russian, Polish, Persian, Arabic, Spanish, German, Indonesian, Vietnamese, Croatian, Thai, Slovenian, Slovak, Bosnian, Portuguese, Italian, etc. customizable language	
Memory Storage	1000+Messages	
Industrial Protection	IP65	
Printhead	Super soft, length 3m, Constant temperature, 40μm	
Printing Direction	360°All-round printing	
Cartridge/Volume	Ink (750ml) Make-up (750ml)	
Temperature Humidity range	0-50°C 0-95% Relative Humidity, Non-condensing	
Power	AC100-240V, 50/60Hz, 120VA	

## Dimensions



**LEAD TECH (ZHUHAI) ELECTRONIC CO., LTD.**

Tel: +86 756-7255629

Fax: +86 756-7255638

Web: [www.leadtech.ltd](http://www.leadtech.ltd)

Add: Floor 3/4 , Building 1, No. 728, Jinhu Road, Sanzao Town, Jinwan District, Zhuhai City